



**Electrolux**  
PROFESSIONAL

**Service Trolleys**  
**2 Side Trolley for 300 plates -**  
**height 835 mm**

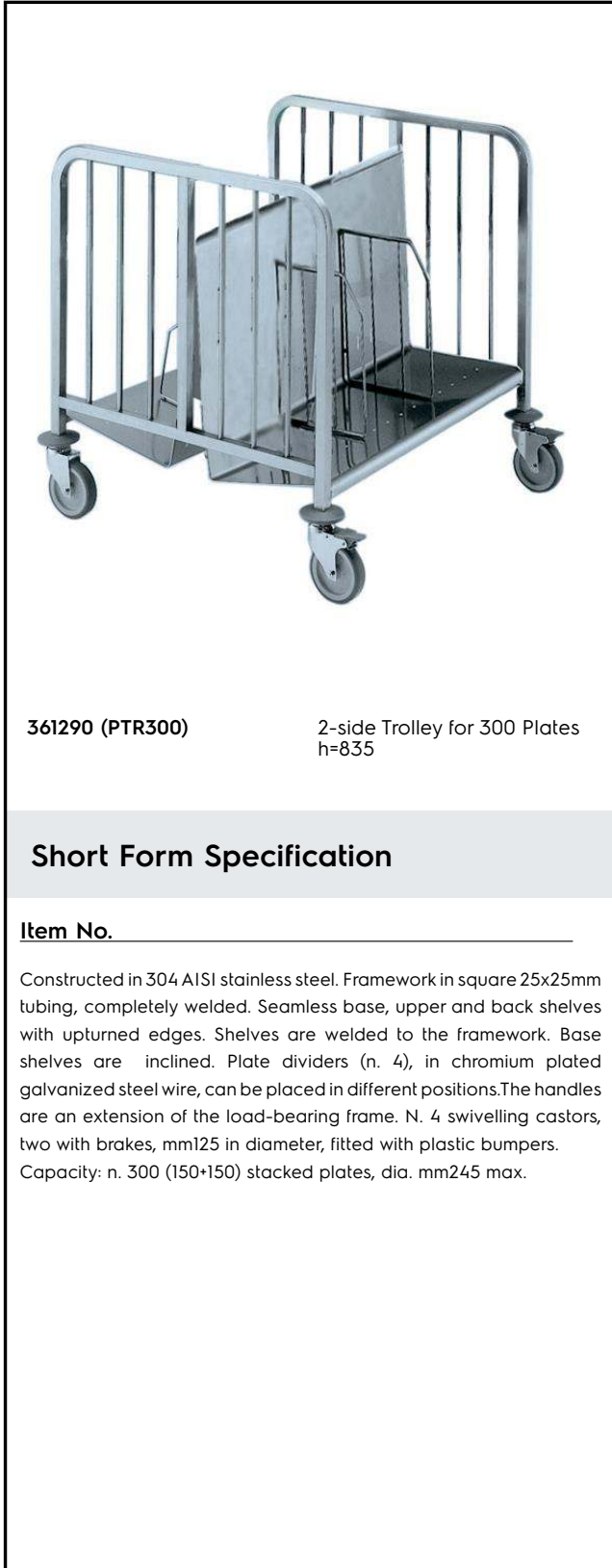
ITEM # \_\_\_\_\_

MODEL # \_\_\_\_\_

NAME # \_\_\_\_\_

SIS # \_\_\_\_\_

AIA # \_\_\_\_\_



361290 (PTR300)

2-side Trolley for 300 Plates  
h=835

**Short Form Specification**

Item No. \_\_\_\_\_

Constructed in 304 AISI stainless steel. Framework in square 25x25mm tubing, completely welded. Seamless base, upper and back shelves with upturned edges. Shelves are welded to the framework. Base shelves are inclined. Plate dividers (n. 4), in chromium plated galvanized steel wire, can be placed in different positions. The handles are an extension of the load-bearing frame. N. 4 swivelling castors, two with brakes, mm125 in diameter, fitted with plastic bumpers. Capacity: n. 300 (150+150) stacked plates, dia. mm245 max.

**Main Features**

- Framework in square 25x25 mm tubing, completely welded.
- Four plate dividers in chromium plated galvanized steel wire, that can be placed in different positions
- Seamless inclined base and back shelves with upturn edges welded to the framework.
- Accomodates 300 stacked plates, maximum 245 mm in diameter.
- 4 pivoting Ø 125 mm wheels, 2 of which with brakes, fitted with plastic bumpers

**Construction**

- Constructed entirely in 304 AISI stainless steel.

APPROVAL: \_\_\_\_\_

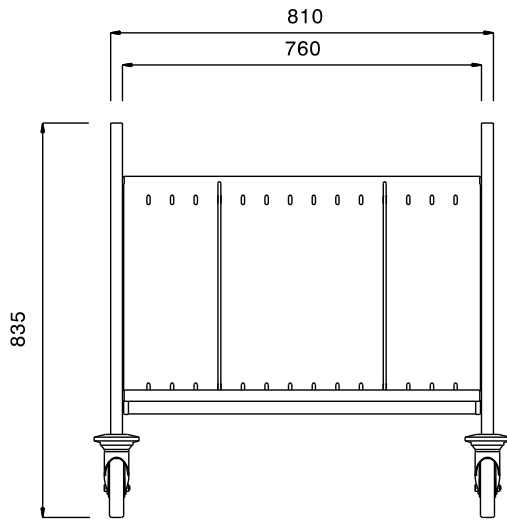


Experience the Excellence  
[www.electroluxprofessional.com](http://www.electroluxprofessional.com)

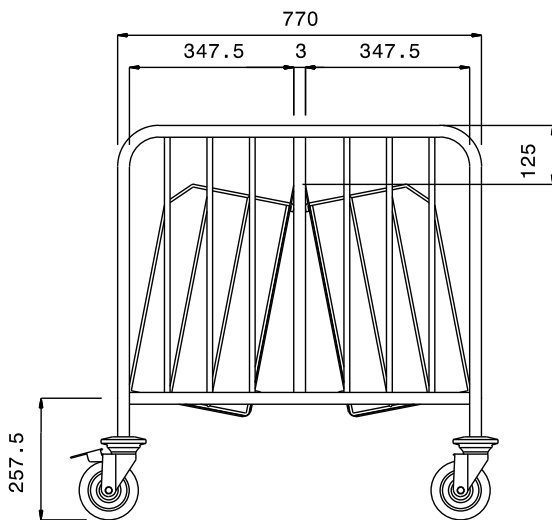
#### Key Information:

External dimensions, Width:	880 mm
361290 (PTR300)	
External dimensions, Depth:	840 mm
External dimensions, Height:	835 mm
Wheel material:	Zinc plated
Wheel diameter:	Ø 125
Net weight:	28 kg

Front



Side



Top

